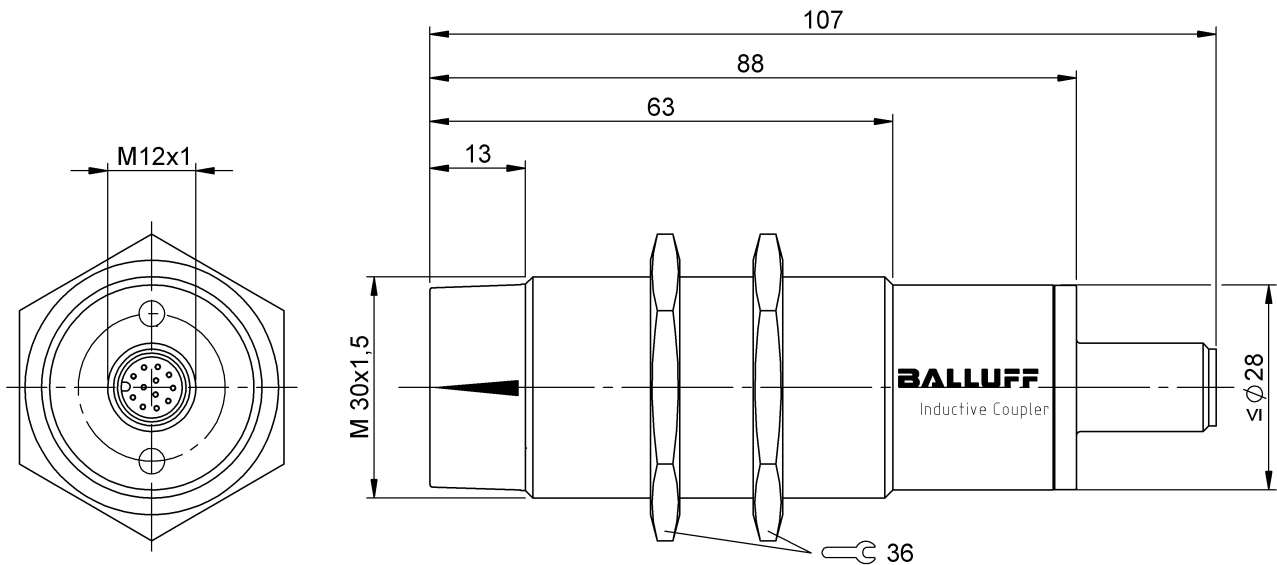


Inductive Couplers  
**BIC 1I3-P2A50-M30MI3-SM4ACA**  
 Order Code: BIC0009

**BALLUFF**



**Basic features**

<b>Approval/Conformity</b>	CE UKCA WEEE
<b>Component</b>	Base
<b>Function</b>	Signal transmission
<b>Use</b>	for inductive coupler remote BIC005J for inductive coupler remote BIC000A

**Display/Operation**

<b>Function indicator</b>	yes
<b>InZone indicator</b>	yes
<b>Power indicator</b>	yes

**Electrical connection**

<b>Connection 1</b>	M12x1-Male, 12-pin
<b>Connection 2</b>	12-pin
<b>Short-circuit protection</b>	yes

**Electrical data**

<b>Current load per output max.</b>	50 mA
<b>Rated operating current I<sub>e</sub></b>	1000 mA
<b>Rated operating voltage U<sub>e</sub> DC</b>	24 V
<b>Ripple max. (% of U<sub>e</sub>)</b>	5 %
<b>Signal type</b>	unidirectional
<b>Switching frequency</b>	40 Hz

**Environmental conditions**

<b>Ambient temperature</b>	0...55 °C
<b>IP rating</b>	IP67
<b>Interference immunity</b>	EN 61000-4-2/3/4/5/6
<b>Storage temperature</b>	-25...75 °C

**Functional safety**

<b>MTTF (40 °C)</b>	83 a
---------------------	------

**Interface**

<b>Digital outputs</b>	8x PNP
------------------------	--------

**Material**

<b>Housing material</b>	Nickel-plated brass, coated
<b>Housing material, surface protection</b>	coated
<b>Material sensing surface</b>	PC

**Mechanical data**

<b>Dimension</b>	Ø 30 x 107 mm
<b>Installation</b>	non-flush
<b>Offset</b>	±4 mm
<b>Size</b>	M30x1.5
<b>Tightening torque max.</b>	70 Nm
<b>Tightening torque pigtail</b>	0.6 Nm
<b>Weight</b>	160 g

**Range/Distance**

<b>Range</b>	0...5 mm
<b>Transmission distance</b>	0...5 mm

**Inductive Couplers**  
**BIC 1I3-P2A50-M30MI3-SM4ACA**  
**Order Code: BIC0009**

**BALLUFF**

**Remarks**

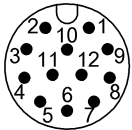
For additional information, refer to user's guide.

Order accessories separately.

For more information about MTTF and B10d see MTTF / B10d Certificate

Indication of the MTTF- / B10d value does not represent a binding composition and/or life expectancy assurance; these are simply experiential values with no warranty implications. These declared values also do not extend the expiration period for defect claims or affect it in any way.

**Connector Drawings**



PIN 1: +24V

PIN 2: 0V

PIN 3: Output 1

PIN 4: Output 2

PIN 5: Output 3

PIN 6: Output 4

PIN 7: Output 5

PIN 8: Output 6

PIN 9: Output 7

PIN10: Output 8

PIN 11: In Zone

PIN12: not used